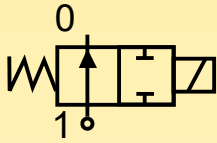


Solenoid Valves for Automation

2/2 way - Normally Open - Direct operated

Fittings: G = 1/4"

Series **136**

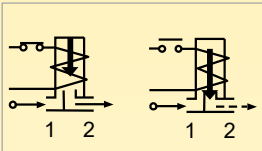


N.O.

Normally open

Coil energised - closed

Coil de-energised - open



General description:

PARKER series 136 solenoid valves are direct operated and do not require a minimum differential pressure to operate. They are used for general applications with media such as **water, air, light oils (2°E) and inert gases**, provided they are compatible with the construction materials used. Series 136 solenoid valves are **normally open** with inlet and outlet in line.

Temperatures:

The working temperature for media is:
maximum **+140°C**
minimum **-10°C**

The maximum ambient temperature is:
• with class "F" coils **+50°C**
• with class "H" coils **+80°C**

Coils:

For series 136 valves class "F" coils (**155°C**), encapsulated in thermoplastic containing 30% glass fiber (types: ZB, YB), and class "H" coils (**180°C**), encapsulated in thermoplastic containing 40% glass fiber (type: ZH), are available. All the coils are for continuous service, 100% E.D. The rated voltage tolerance is: **±10% for A.C.** power supply and **+10% -5% for D.C.** The "Z" and "Y" coils can be used on a.c. with frequency of 50/60Hz (dual frequency). The "Z" coils have Faston terminals for **DIN 43650A** connectors with protection to **IP65**. The "Y" coil has terminals with 2 x 1,000 mm cables with protection to **IP67**.

Application:

Series 136 solenoid valves are ideal for the automatic control of media for the following applications:

- generating sets;
- water purification plants;
- sterilisers;
- air dehumidifiers;
- industrial refrigerators;
- distribution of light oils.

For air applications the maximum differential pressure (MOPD) can be increased by 25%.

Installation:

The valves can be mounted in any position without jeopardising their operation. It is however advisable to install them with the coil in a vertical position above the body.

Approvals:

- For the coils:
 - ZB 14** 115V/50-60Hz, 220-230V/50-60Hz
 - ZH 14** 24V/50-60Hz
 - ZH 16** 12V DC, 24V DC
 - YB 14** 220-230V/50-60Hz
 - YB 16** 24V DC
- For the coil:
 - ZB 14** 220-230V/50-60Hz



Series **136**

MATERIALS

- Valve body: CW617N UNI EN 12165:98 brass stamping
- Seals: Viton
- Enclosing tube: AISI 304 stainless steel
- Plunger: AISI 430F stainless steel
- Spring: AISI 302 stainless steel
- Shading ring: Copper

ELECTRICAL FEATURES

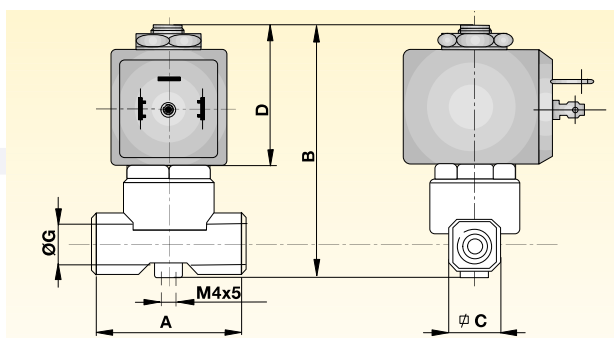
Coil type []		Power [W]		Insulat. class
A.C.(~)	D.C.(=)	A.C.(~)	D.C.(=)	
ZB 14	ZB 16	14	16	F
ZH 14	ZH 16	14	16	H
YB 14	YB 16	14	16	F

SPECIFICATION

Fittings Ø G	Valve type	Nominal orifice Ø	Flow coefficient Kv	Minimum pressure	Max differential pressure (M.O.P.D.)		Coil type	Weight	Notes
["]	[]	[mm]	[m³/h]	[bar]	in A.C.(~) [bar]	in D.C.(=) [bar]	[]	[Kg]	[]
1/4	136 Y	3	0,240	0	5,5	5,5	Z-Y	0,36	1

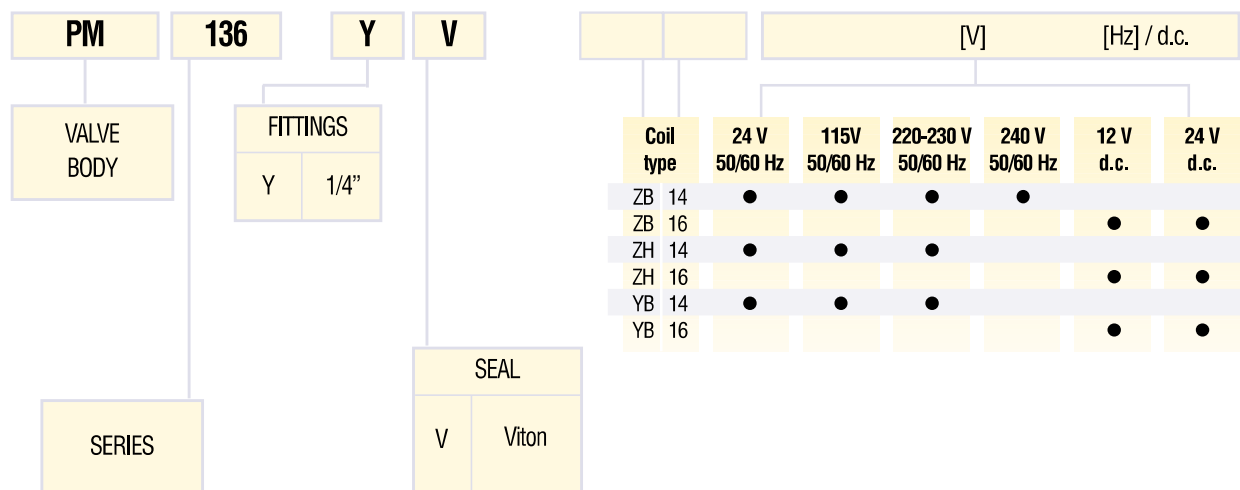
Note: 1) NP (nominal pressure): 64 bar.

DIMENSIONS



Fittings Ø G	A	B	C	D
["]	[mm]	[mm]	[mm]	[mm]
1/4	40	81	17	43

ORDER CODE



Note: Valve supplied with body (PM) and coil separate. Connector to be ordered separately.